



### Features:

- Aluminum alloy mold forming
- Supports Intel® 4th to 9th Generation Desktop CPUs
- Installs standard ITX motherboard, supports standard 1U power supply
- Optional adapter card, can support up to 1PCI, 1PCIe X16, and 1\*PCIe X4 expansion
- Up to 2 optional 2.5-inch 15mm shock and impact-resistant hard drive bays
- One APQ standard aDoor expansion slot
- Front panel power switch design, with power and storage status indicators for easier system maintenance
- Supports multi-directional wall-mounted and desktop installations



Remote Management



Status Monitoring



Remote Operations and Maintenance



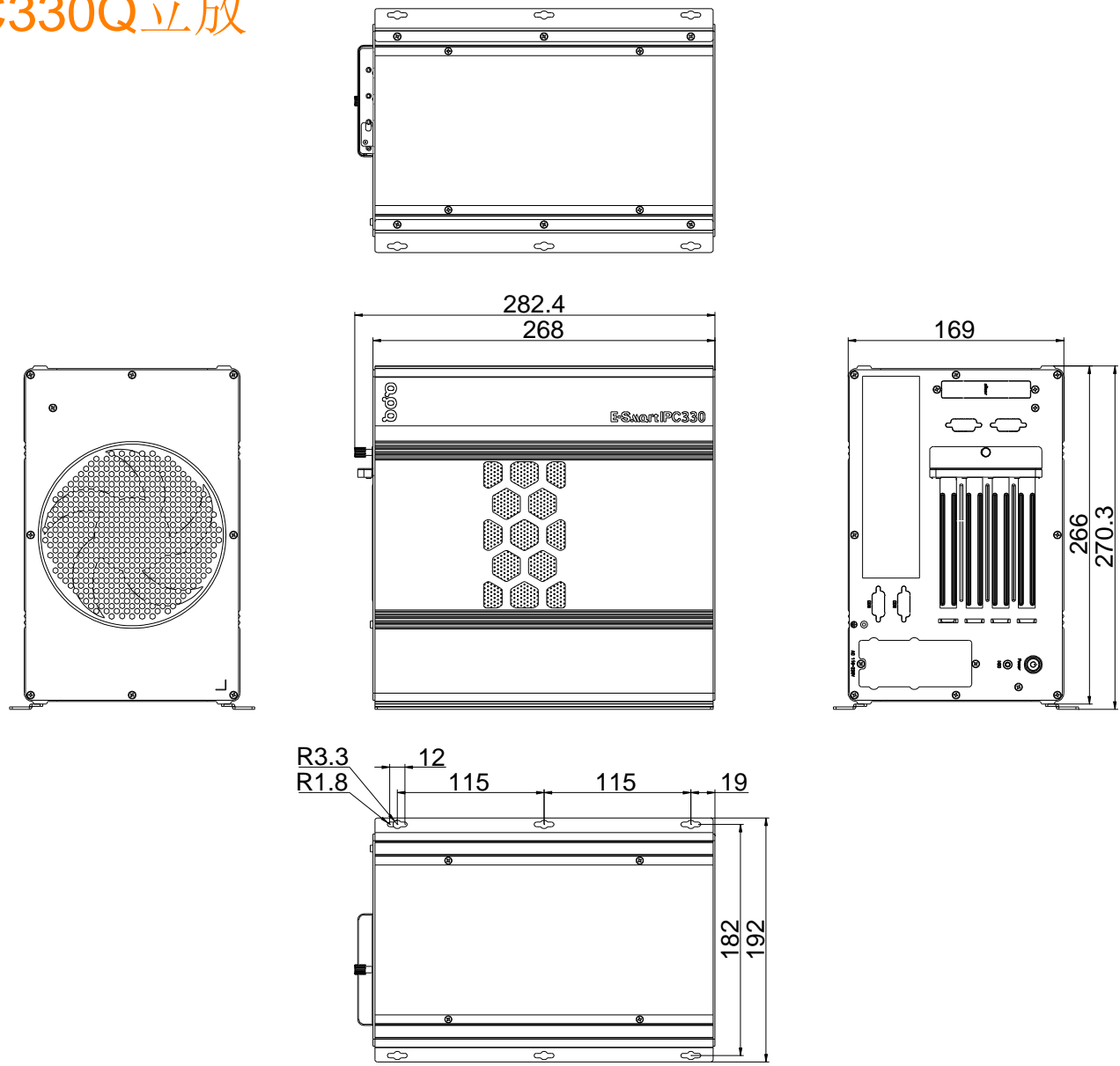
Security Control

## Product Specifications

Model	IPC330Q	
Processor System	SBC form factor	Supports motherboards with 6.7" x 6.7" and below sizes
	PSU Type	1U FLEX
	Driver Bays	2 * 2.5" drive bays (Optionally add 2 * 2.5" drive bays)
	CD-ROM Bays	NA
	Cooling Fans	1 * PWM Smart FAN (14025, Rear I/O)
	USB	NA
	Expansions Slots	1 * PCI、1 * PCIe X16、1 * PCIe X4 full-height expansion slots
	Button	1 * Power Button
	LED	1 * Power status LED 1 * Hard drive status LED
	aDoor	1 * aDoor for expansion APQ aDoor expansion module AR series
	Optional	4 * DB9 for expansion optioal (Front I/O)
Mechanical	Enclosure Material	SGCC+Al6061
	Surface technology	Anodization+ Baking varnish
	Color	Steel gray
	Dimensions (W x D x H)	266mm * 169mm * 268mm
	Weight (Net.)	5.0 kg
	Mounting	Wall mounted, Desktop
Environment	Operating Temperature	-20 ~ 60°C
	Storage Temperature	-20 ~ 75°C
	Relative Humidity	10 to 95% RH (non-condensing)

Product Dimensions

IPC330Q立放



Chassis Interface

IPC330Q立放

