



Features:

- Full-screen resistive touchscreen design
- Modular design available in 12.1~21.5", supporting square/wide screens
- The front panel meets IP65 requirements
- The front panel integrates USB Type-A and signal indicator lights
- Supports Intel® 12/13th Gen Core / Pentium/ Celeron Desktop CPU, TDP 65W, LGA1700
- Equipped with Intel® Q670 chipset
- Two Intel network interfaces (1*1GbE & 1*2.5GbE)
- Three-way display outputs HDMI, DP++ and internal LVDS, supporting up to 4K@60Hz resolution
- Rich USB, serial port expansion interfaces, and PCIe, mini PCIe, M.2 expansion slots
- Intelligent active cooling with a fan



Remote Management



Status Monitoring



Remote Operations and Maintenance



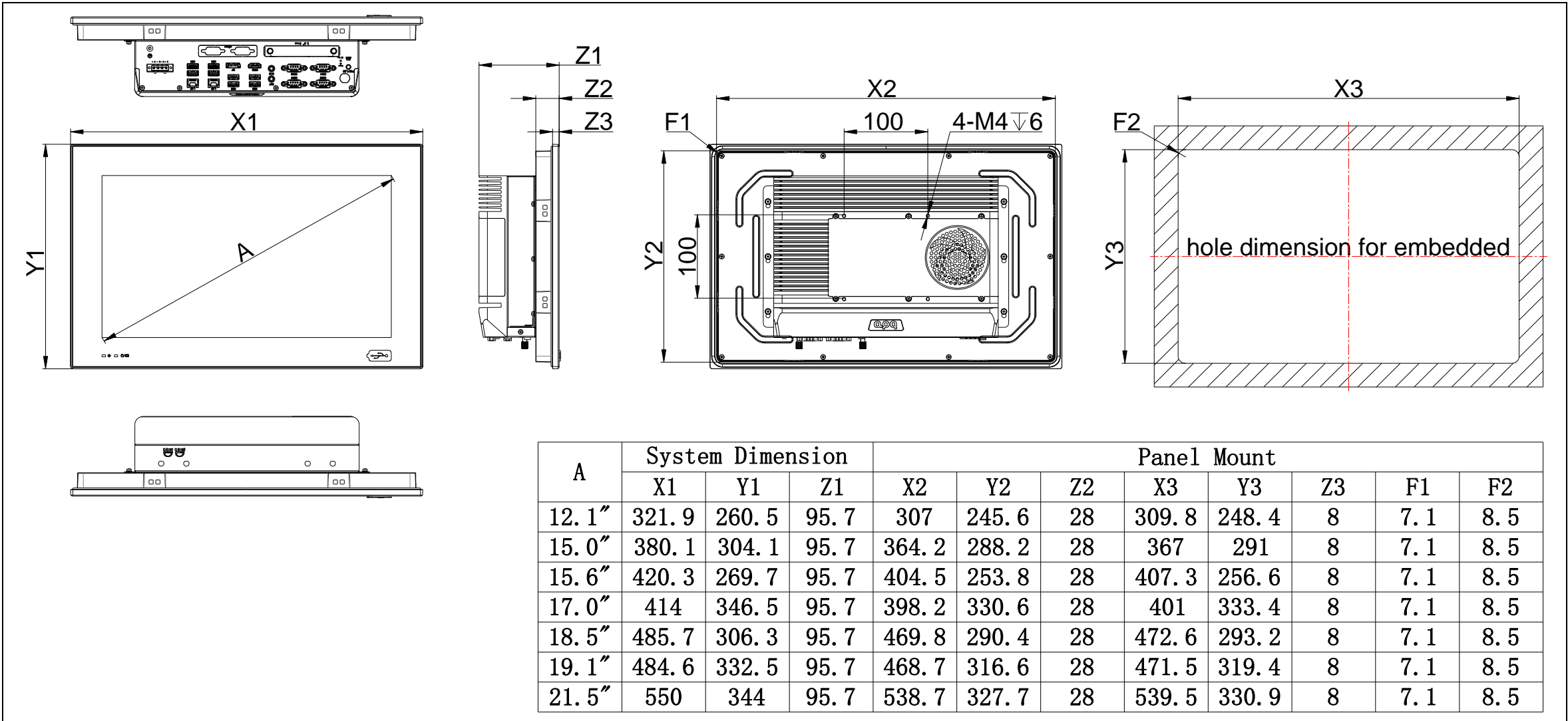
Security Control

Product Specifications

Model	PL121RQ-E7S	PL150RQ-E7S	PL156RQ-E7S	P170RQ-E7S	PL185RQ-E7S	PL191RQ-E7S	PL215RQ-E7S	
LCD	Display Size	12.1"	15.0"	15.6"	17.0"	18.5"	19.1"	21.5"
	Display Type	XGA TFT-LCD	XGA TFT-LCD	FHD TFT-LCD	SXGA TFT-LCD	WXGA TFT-LCD	WXGA TFT-LCD	FHD TFT-LCD
	Max.Resolution	1024 x 768	1024 x 768	1920 x 1080	1280 x 1024	1366 x 768	1440 x 900	1920 x 1080
	Luminance	350 cd/m2	300 cd/m2	350 cd/m2	250 cd/m2	250 cd/m2	250 cd/m2	250 cd/m2
	Aspect Ratio	4:3	4:3	16:9	5:4	16:9	16:10	16:9
	Viewing Angle	80/80/80/80°	88/88/88/88°	89/89/89/89°	85/85/80/80°	89/89/89/89°	85/85/80/80°	89/89/89/89°
	Max. Color	16.7M	16.7M	16.7M	16.7M	16.7M	16.7M	16.7M
	Backlight Lifetime	30,000 hr	70,000 hr	50,000 hr	30,000 hr	30,000 hr	30,000 hr	50,000 hr
	Contrast Ratio	800:1	2000:1	800:1	1000:1	1000:1	1000:1	1000:1
Touchscreen	Touch Type	5-wire resistive touch	5-wire resistive touch	5-wire resistive touch	5-wire resistive touch	5-wire resistive touch	5-wire resistive touch	5-wire resistive touch
	Controller	USB signal	USB signal	USB signal	USB signal	USB signal	USB signal	USB signal
	Input	finger/touch pen	finger/touch pen	finger/touch pen	finger/touch pen	finger/touch pen	finger/touch pen	finger/touch pen
	Light Transmission	≥78%	≥78%	≥78%	≥78%	≥78%	≥78%	≥78%
	Hardness	≥3H	≥3H	≥3H	≥3H	≥3H	≥3H	≥3H
Processor System	CPU	Intel® 12/13th Generation Core / Pentium/ Celeron Desktop CPU						
	TDP	65W						
	Socket	LGA1700						
	Chipset	Q670						
	BIOS	AMI 256 Mbit SPI						
Memory	Socket	2 * Non-ECC SO-DIMM Slot, Dual Channel DDR4 up to 3200MHz						
	Max Capacity	64GB, Single Max. 32GB						
Graphics	Controller	Intel® UHD Graphics						
Ethernet	Controller	1 * Intel i219-LM 1GbE LAN Chip (LAN1, 10/100/1000 Mbps, RJ45) 1 * Intel i225-V 2.5GbE LAN Chip (LAN2, 10/100/1000/2500 Mbps, RJ45)						
	Storage	1 * SATA3.0, Quick release 2.5" hard disk bays (T≤7mm) 1 * SATA3.0, Internal 2.5" hard disk bays (T≤9mm, Optional) Support RAID 0, 1						
Expansion Slots	M.2	1 * M.2 Key-M (PCIe x4 Gen 4 + SATA3.0, NVMe/SATA SSD Auto Detect, 2242/2260/2280)						
	aDoor	1 * aDoor Bus (Optional 4 * LAN/4 * POE/6 * COM/16 * GPIO expansion card)						
	Mini PCIe	2 * Mini PCIe (PCIe x1 Gen 3 + USB 2.0, with 1 * SIM Card)						
	M.2	1 * M.2 Key-E (PCIe x1 Gen 3 + USB 2.0, 2230)						
Front I/O	Ethernet	2 * RJ45						
	USB	2 * USB3.2 Gen2x1 (Type-A, 10Gbps) 6 * USB3.2 Gen 1x1 (Type-A, 5Gbps)						
	Display	1 * HDMI1.4b: max resolution up to 4096*2160 @ 30Hz 1 * DP1.4a: max resolution up to 4096*2160 @ 60Hz						
	Audio	2 * 3.5mm Jack (Line-Out + MIC)						
	Serial	2 * RS232/485/422 (COM1/2, DB9/M, Full Lanes, BIOS Switch) 2 * RS232 (COM3/4, DB9/M, Full Lanes)						
	Button	1 * Power Button + Power LED 1 * AT/ATX Button 1 * OS Recover Button 1 * System Reset Button						
Rear I/O	Antenna	4 * Antenna hole						
	SIM	2 * Nano SIM card slots						
Internal I/O	USB	6 * USB2.0 (wafer)						
	LCD	1 * LVDS (wafer): LVDS Resolution up to 1920*1200 @ 60Hz						
	Front Panel	1 * FPanel (PWR+RST+LED, wafer)						
	Audio	1 * Audio (Header) 1 * Speaker (2-W (per channel)/8-Ω Loads, wafer)						
	Serial	2 * RS232 (COM5/6, wafer)						
	GPIO	1 * 16 bits DIO (8xDI and 8xDO, wafer)						
	LPC	1 * LPC (wafer)						
	SATA	3 * SATA 7P Connector, up to 600MB/s						
	SATA Power	3 * SATA Power (wafer)						
	FAN	1 * CPU FAN (wafer) 2 * SYS FAN (KF2510-4A)						
	Power Supply	Type	DC, AT/ATX					
Power Input Voltage		9~36VDC, P≤240W 18~60VDC, P≤400W						

	Connector	1 * 4Pin Connector, P=5.00/5.08						
	RTC Battery	CR2032 Coin Cell						
OS Support	Windows	Windows 10/11						
	Linux	Linux						
Watchdog	Output	System Reset						
	Interval	Programmable 1 ~ 255 sec						
Mechanical	Enclosure Material	Radiator: Aluminum alloy, Box: SGCC						
	Mounting	VESA, Embedded						
	Dimensions (L * W * H, Unit: mm)	321.9*260.5*95.7	380.1*304.1*95.7	420.3*269.7*95.7	414*346.5*95.7	485.7*306.3*95.7	484.6*332.5*95.7	550*344*95.7
	Weight	Net: 6.66Kg Total: 8.16 Kg	Net: 8.05Kg Total: 9.55 Kg	Net: 7.95Kg Total: 9.45 Kg	Net: 8.8Kg Total: 10.6 Kg	Net: 8.65Kg Total: 10.45 Kg	Net: 10.05Kg Total: 11.85 Kg	Net: 9.58Kg Total: 11.38 Kg
Environment	Heat Dissipation System	PWM FAN Cooling						
	Operating Temperature	-20~60°C	-20~60°C	-20~60°C	-20~60°C	-20~60°C	0~50°C	0~50°C
	Storage Temperature	-20~60°C	-20~70°C	-30~80°C	-30~70°C	-30~70°C	-20~60°C	-20~60°C
	Relative Humidity	10 to 95% RH (non-condensing)						
	Vibration During Operation	With SSD: IEC 60068-2-64 (1Grms@5~500Hz, random, 1hr/axis)						
	Shock During Operation	With SSD: IEC 60068-2-27 (15G, half sine, 11ms)						
	Certification	CE/FCC, RoHS						

Product Dimensions



Product I/O

