

Embedded Industrial PC E5S

Series J6412 Platform



Features:

- Utilizes the Intel® Celeron® J6412 low-power quad-core processor
- Integrates dual Intel® Gigabit network cards
- Onboard 8GB LPDDR4 high-speed memory
- Two onboard display interfaces
- Support for dual hard drive storage
- Supports 12~28V DC wide voltage power supply
- Supports WiFi/4G wireless expansion
- Ultra-compact body, fanless design, with optional aDoor module



Remote Management



Status Monitoring



Remote Operations and Maintenance



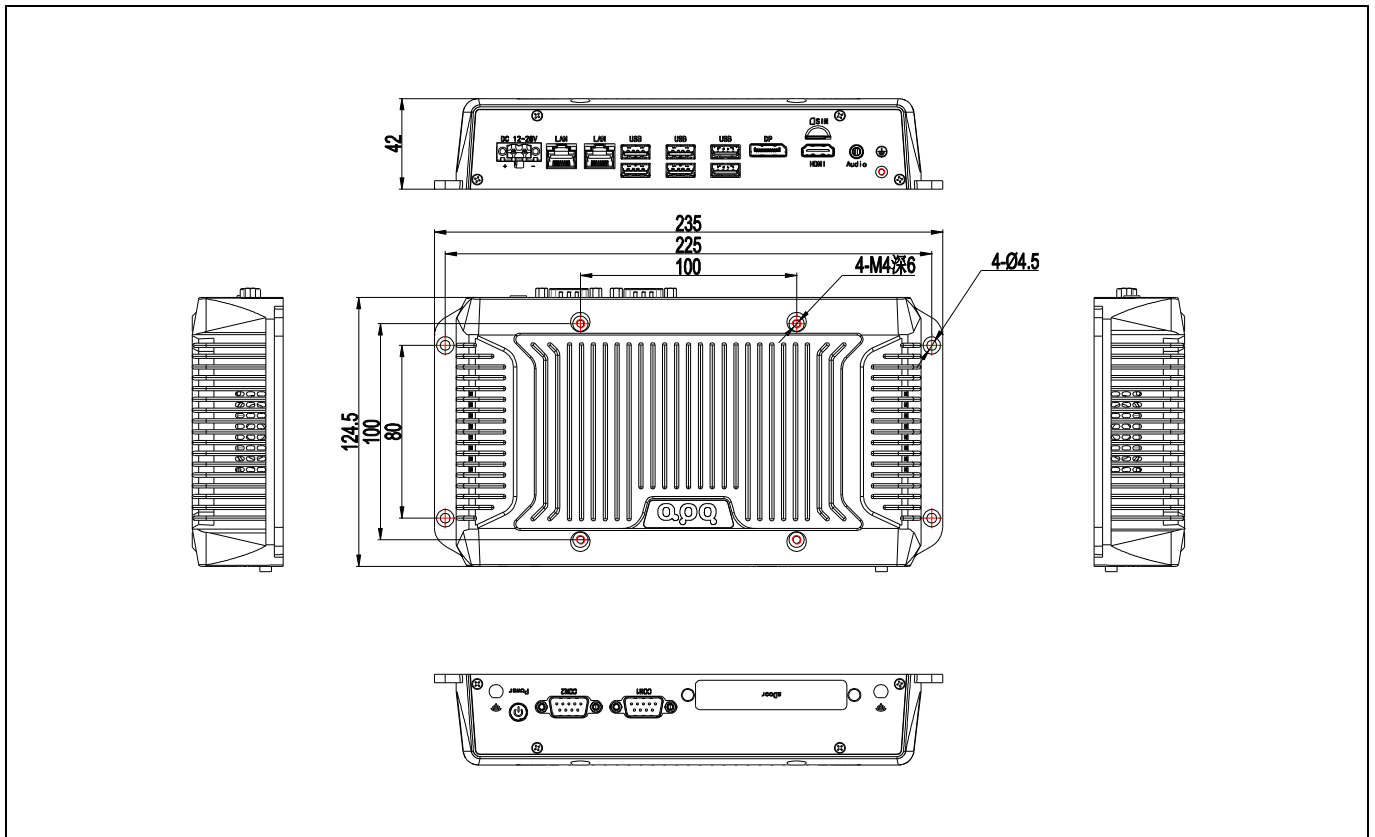
Security Control

Product Specifications

Model	E5S	
Processor System	CPU	Intel® Celeron® Processor J6412, FCBGA1493
	TDP	10W
	Chipset	SOC
	BIOS	AMI UEFI BIOS
Memory	Socket	LPDDR4 3200 MHz (Onboard)
	Capacity	8GB
Graphics	Controller	Intel® UHD Graphics
Ethernet	Controller	2 * Intel® i210-AT (10/100/1000 Mbps, RJ45)
Storage	SATA	1 * SATA3.0 Connector (2.5-inch hard disk with 15 + 7Pin)
	M.2	1 * M.2 Key-M Slot (SATA SSD, 2280)
Expansion Slots	aDoor	1 * aDoor Expansion Module
	Mini PCIe	1 * Mini PCIe Slot (PCIe2.0 x1 + USB2.0, with 1 * Nano SIM Card)
Front I/O	USB	4 * USB3.0 (Type-A) 2 * USB2.0 (Type-A)
	Ethernet	2 * RJ45
	Display	1 * DP++: max resolution up to 4096x2160 @ 60Hz 1 * HDMI (Type-A): max resolution up to 2048x1080 @ 60Hz
	Audio	1 * 3.5mm Jack (Line-Out + MIC, CTIA)

	SIM	1 * Nano-SIM Card slot
	Power	1 * Power Input Connector (12~28V)
Rear I/O	Button	1 * Power Button with Power LED
	Serial	2 * RS232/485 (COM1/2, DB9/M, BIOS control)
Internal I/O	Front Panel	1 * Front Panel (wafer)
	FAN	1 * SYS FAN (wafer)
	Serial	2 * COM (JCOM3/4, wafer) 2 * COM (JCOM5/6, wafer)
	USB	2 * USB2.0 (F_USB2_1, wafer) 2 * USB2.0 (F_USB2_2, wafer)
	Display	1 * LVDS/eDP (default LVDS, wafer)
	Audio	1 * Speaker (2-W (per channel)/8-Ω Loads, wafer)
	GPIO	1 * 16bits DIO (8xDI and 8xDO, wafer)
	LPC	1 * LPC (wafer)
Power Supply	Type	DC
	Power Input Voltage	12~28VDC
	Connector	1 * 2Pin Power Input Connector (12~28V, P= 5.08mm)
	RTC Battery	CR2032 Coin Cell
OS Support	Windows	Windows 10
	Linux	Linux
Watchdog	Output	System Reset
	Interval	Programmable 1 ~ 255 sec
Mechanical	Enclosure Material	Radiator: Aluminum alloy, Box: SGCC
	Dimensions	235mm(L) * 124.5mm(W) * 42mm(H)
	Weight	Net: 1.2Kg Total: 2.2Kg (include packaging)
	Mounting	VESA, Wall mounted, Desk mounting
Environment	Heat Dissipation System	Passive heat dissipation
	Operating Temperature	-20~60°C
	Storage Temperature	-40~80°C
	Relative Humidity	5 to 95% RH (non-condensing)
	Vibration During Operation	With SSD: IEC 60068-2-64 (3Grms@5~500Hz, random, 1hr/axis)
	Shock During Operation	With SSD: IEC 60068-2-27 (30G, half sine, 11ms)

Product Dimensions



Product I/O

